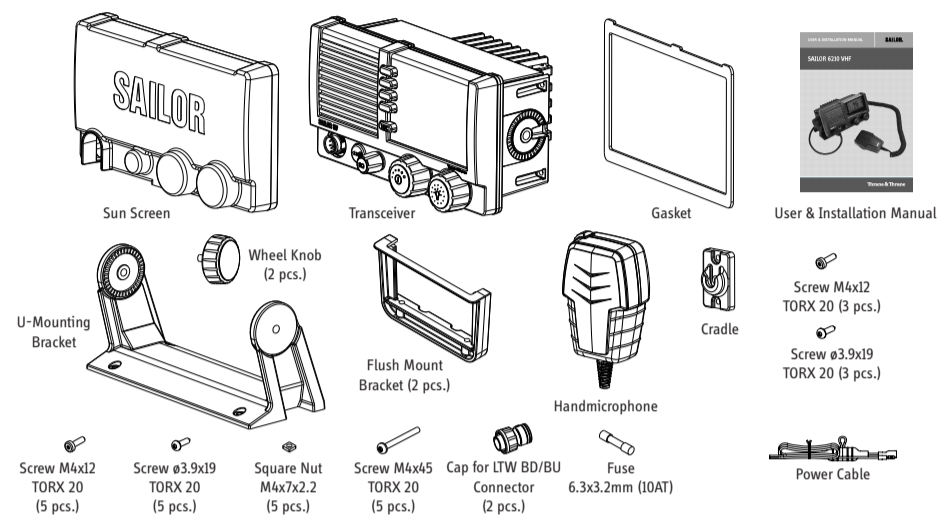
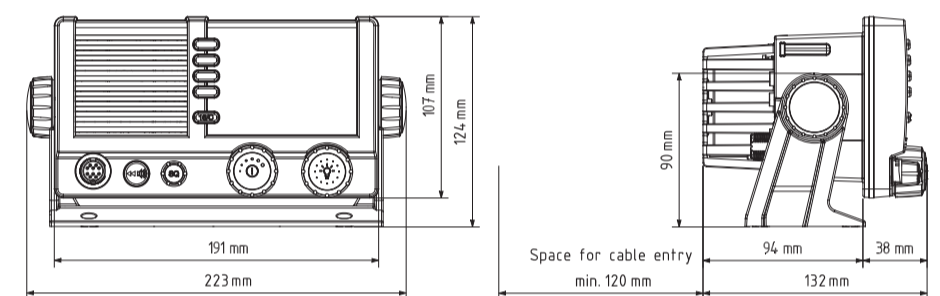


SAILOR 6210 VHF

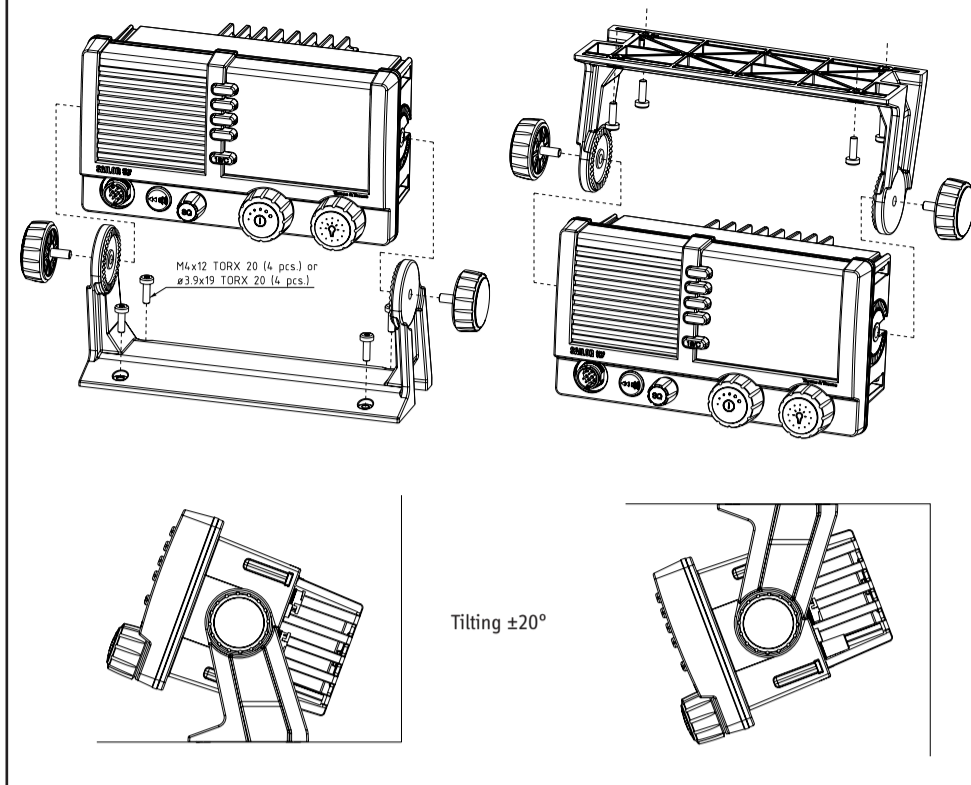
What's in the box?



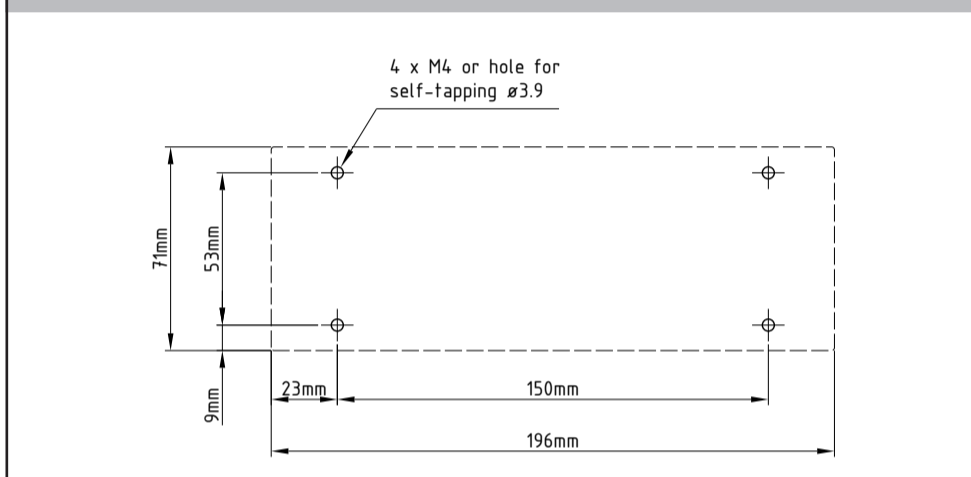
Dimensions for the VHF



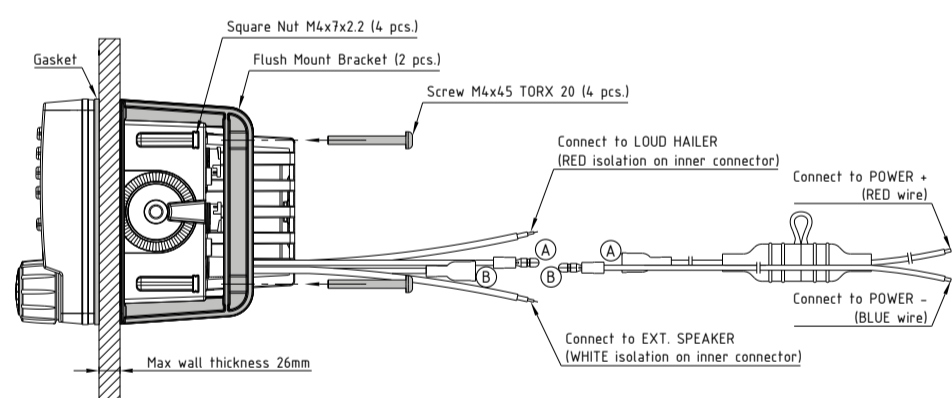
How to install the VHF on desktop and overhead



Drilling plan on desktop and overhead



How to install the VHF flush mount

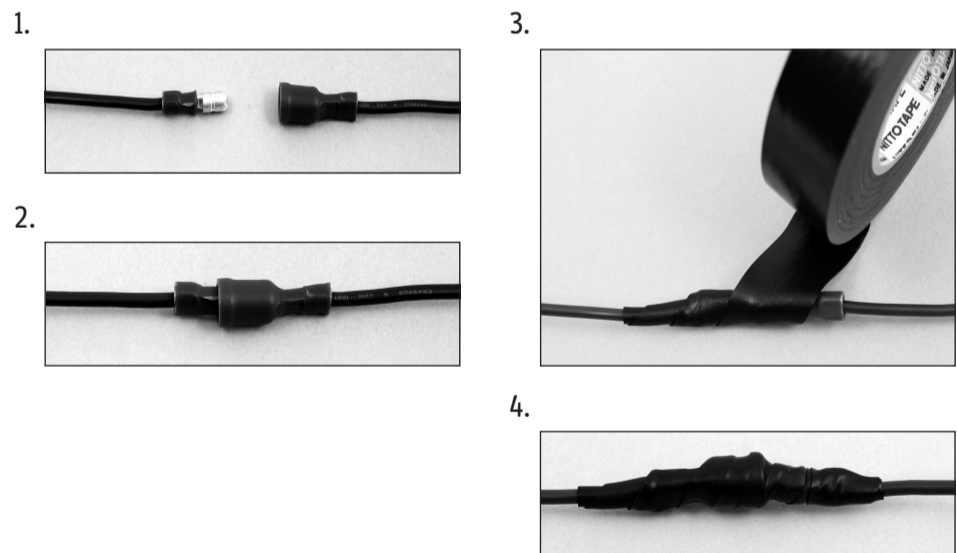


Note!

- Firmly tie back and secure any wires not used in order to avoid possibility for mutual shorting or shorting to ground!
- To ensure waterproof sealing: If the surface isn't plane and/or rigid remove the gasket and seal with silicone sealant between the VHF and the surface.

Cable assembly for waterproof installation

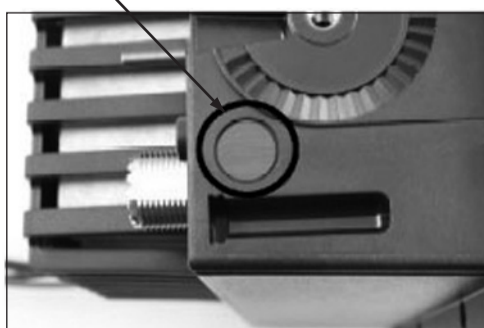
Connect the 4 cable connections with rubber vulcanizing tape as shown



Very important information!

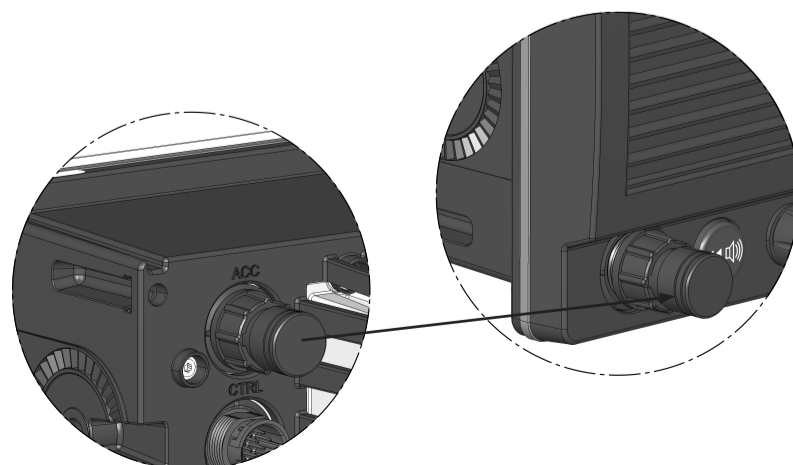
Do not remove the membrane.
If you remove the membrane the radio will not be waterproof.

Membrane

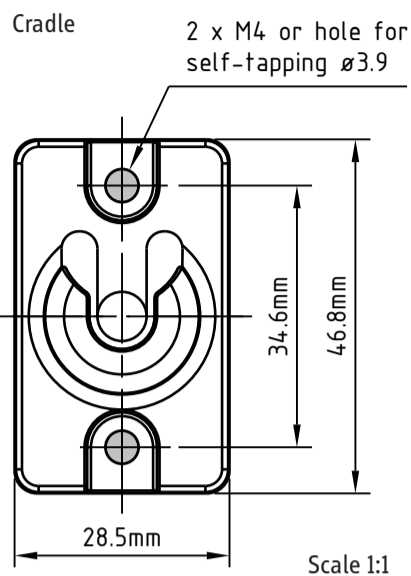
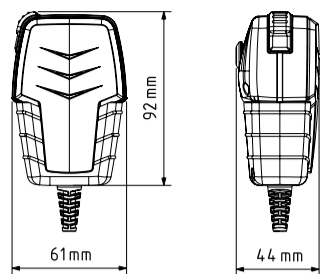


How to prevent water ingress

Connector for Handmicrophone or handset - If not used, put the cap from the ACC connector on the front connector to prevent water ingress.

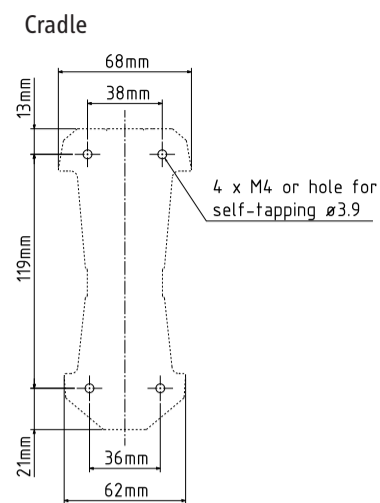
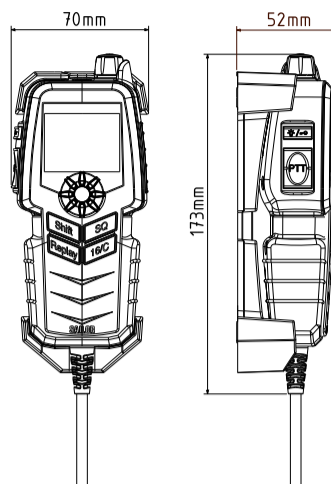


Dimensions for Hand Microphone - how to install the cradle



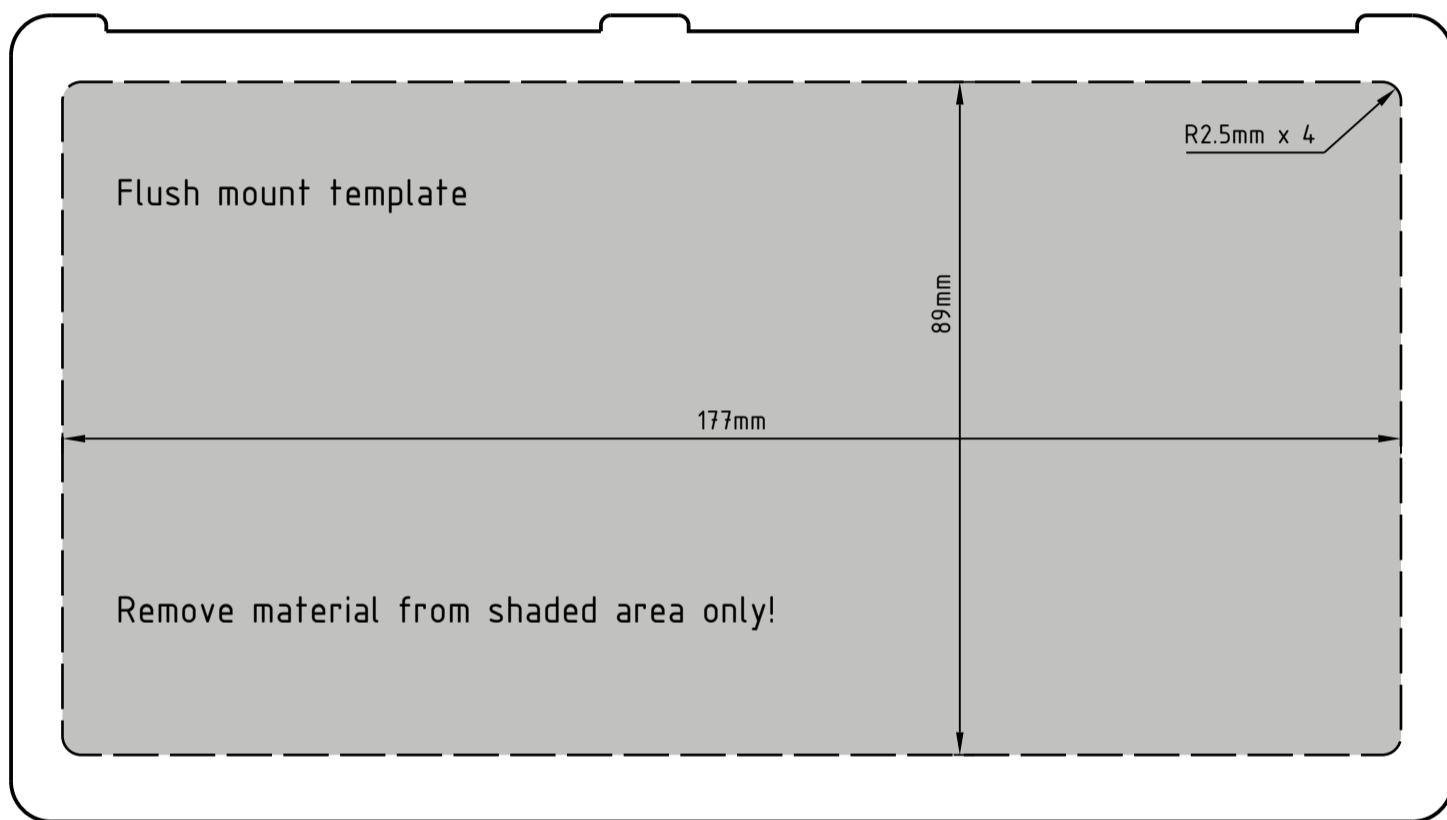
IMPORTANT!
If this template was printed from an electronic file or copied, scaling (1:1) may not be correct. Consequently do not attempt to use a printed or copied template without prior checking of dimensions.

Accessorie - SAILOR 6204 Control Speaker Microphone



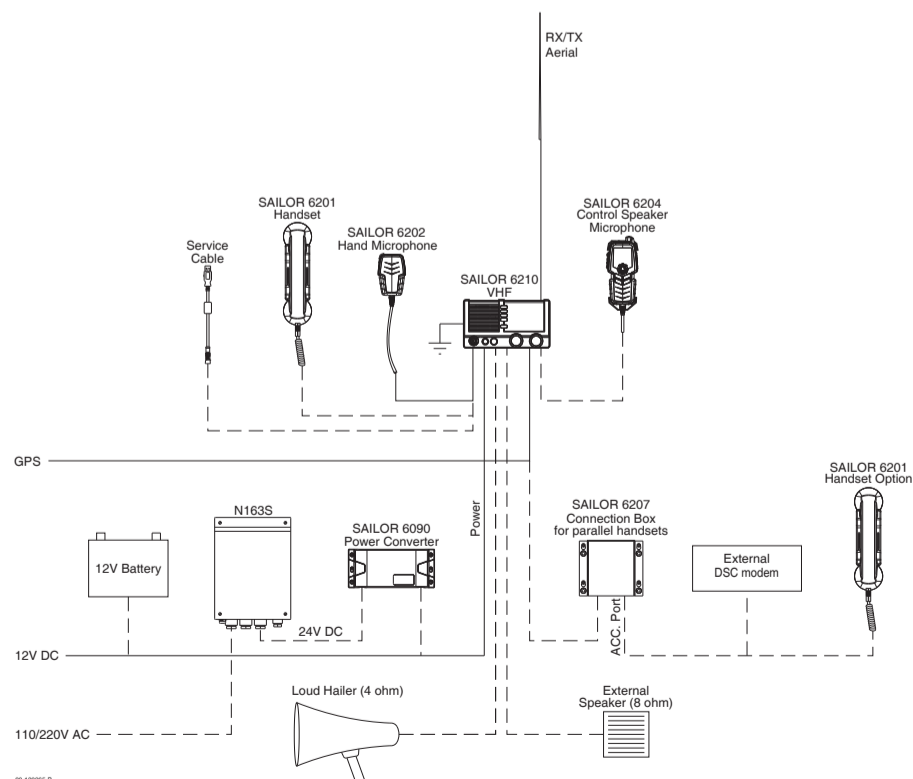
Cutout template for flush mounting of the VHF

IMPORTANT!
If this template was printed from an electronic file or copied, scaling (1:1) may not be correct. Consequently do not attempt to use a printed or copied template without prior checking of dimensions.



Scale 1:1

System Configuration - Example



For further information, please download the installation manual part no. 98-135548 at <http://esupport.thrane.com>